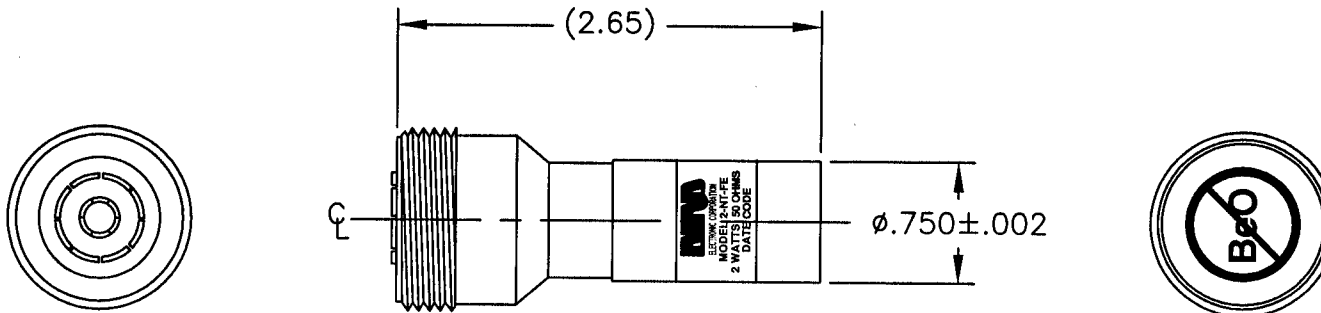


SPECIFICATIONS:

POWER RATING: 2 WATTS MAX. @ 40°C.
 FREQUENCY RANGE: DC TO 2.2GHz
 VSWR: 1.05:1 MAXIMUM 860 MHz TO 1000 MHz
 AND 1700 MHz TO 2200 MHz
 IMPEDANCE: 50 OHMS NOMINAL
 AMBIENT TEMPERATURE: RANGE: -40°C TO +40°C
 RESISTIVE ELEMENT: ALUMINA ROD, CARBON FILM
 CONNECTOR: 7/16 FEMALE PER MIL-PRF-39012
 OPERATING POSITION: ANY (CONVECTION COOLED)
 WEIGHT: APPROX. 4.6 oz. (130 gm)

REVISIONS		DWG. NO.	2-NT-FE	SHEET	REV
ZONE	REV	DESCRIPTION	DATE	APPROVED	
	A	CONVERT TO BEC FORMAT	DMR 3-13-03	<i>MRE</i>	



UNLESS OTHERWISE SPECIFIED
 DIMENSIONS ARE IN INCHES
 TOLERANCES ARE:

MILLIMETERS
 .X = ±.4
 .XX = ±.12

FRACTIONS DECIMALS ANGLES
 ± 1/64 .XX = ±.010 ± 30'
 .XXX = ±.005

DO NOT SCALE DRAWING

THIS DRAWING IS THE PROPERTY OF THE BIRD ELECTRONIC CORPORATION. THE DESIGNS AND SPECIFICATIONS DISCLOSED HEREON ARE PROPRIETARY AND SHALL NOT BE REPRODUCED, NOR COPIED, NOR USED AS THE BASIS FOR THE MANUFACTURE OR SALE OF APPARATUS OR DEVICES WITHOUT THEIR EXPRESS WRITTEN CONSENT.



BIRD Electronic Corporation
 Cleveland (Solon) Ohio USA

MATERIAL BODY: BRASS
 CONTACT: BRASS
 INSULATOR: TEFLON

FINISH
 BODY: TRI-ALLOY PLATED, NO NICKEL UNDERCOAT
 CONTACT: GOLD PLATED

APPROVALS		DATE
DRAWN	D.M.RINK	3-13-03
CHECKED		
APPROVED	<i>MRE</i>	3-13-03
		AUTOCAD

TITLE				
TERMINATION AIN, 7/16 IEC FEMALE, 2W				
SIZE	FSCM NO.	DWG. NO.	REV	
A	70998	2-NT-FE	A	
SCALE	1:1	COMM CODE	SHEET	1 OF 1
		HB1		